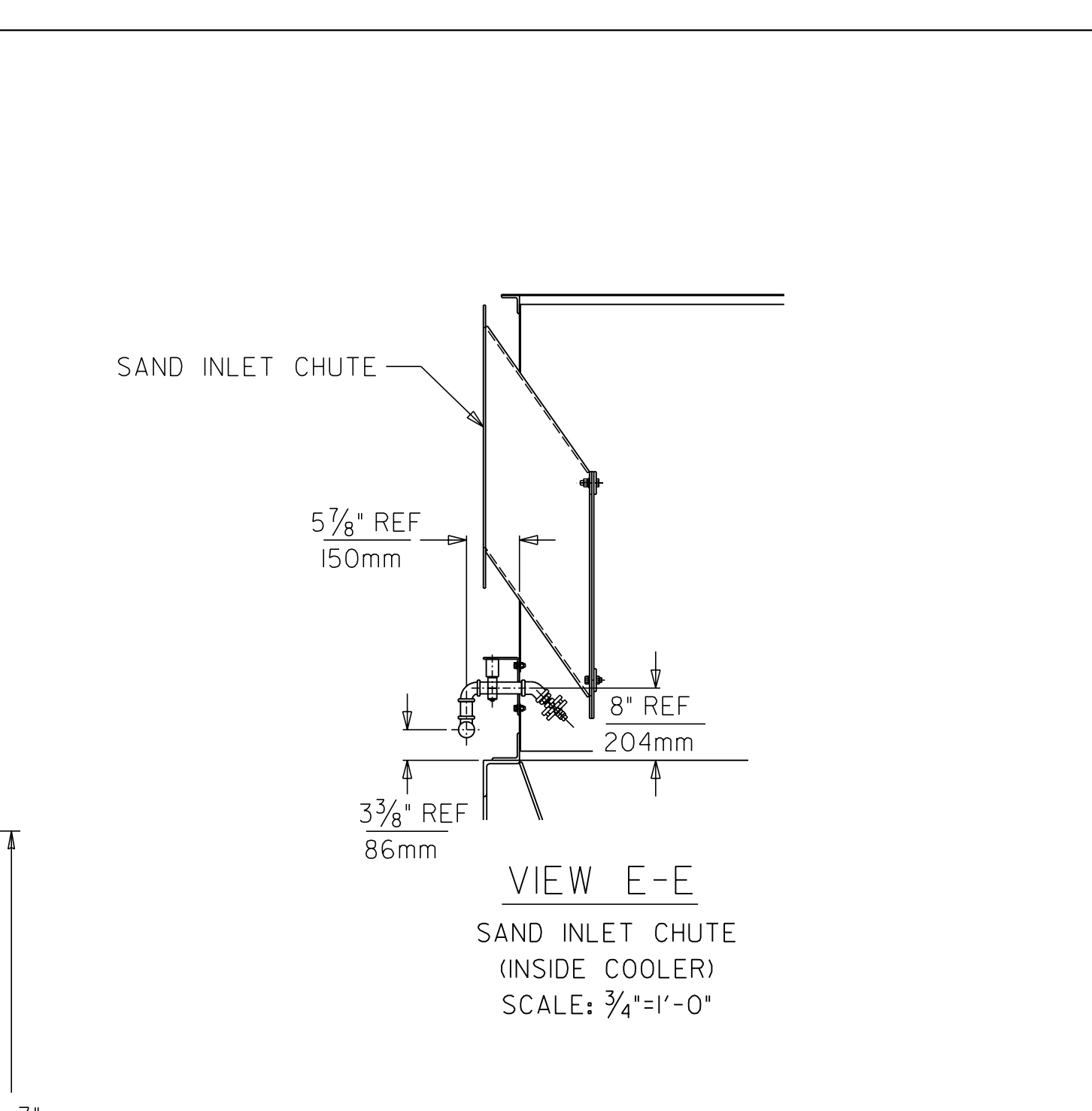


**TECHNICAL DATA**

**OPERATING WEIGHTS:**

<b>MULTI-COOLER</b>	20800 lbs 9435 kg
<b>LOAD / PEDESTAL</b>	
<b>STATIC</b>	8 @ 2600 lbs 8 @ 1180 kg
<b>DYNAMIC</b>	8 @ 5200 lbs 8 @ 2360 kg
<b>DRIVE MOTOR &amp; CLUTCH</b>	822 lbs 374 kg
<b>BLOWER &amp; MOTOR</b>	1610 lbs 732 kg
<b>CYCLONE</b>	
<b>EMPTY</b>	2600 lbs 1178 kg
<b>UPSET CONDITION-FULL</b>	14000 lbs 6352 kg
<b>EXHAUST ( @ DUST HOOD CONNECTION)</b>	13100 A.C.F.M. @ -1' W.G. 22255 m <sup>3</sup> /HR @ -25mm
<b>COMPRESSED AIR REQUIREMENT</b>	80 P.S.I. (CLEAN & DRY) 5.52 bar
<b>WATER SUPPLY REQUIRED</b>	40 PSI (MIN), 60° F, 20 GAL/min 2.76 bar (MIN), 15° C, 75.7 L/min
<b>VOLTAGE</b>	<b>PRIMARY</b> 460V./60HZ./3PH <b>CONTROL</b> 120V./60HZ./1PH.



REV.	DATE	DESCRIPTION OF REVISION	ECN
3	10-5-98	REV FD'N, ELEV & LOAD FOR KF107 RED	0191
2	4-9-97	ADD VIEW G-G (WAS A-A); UPDATED FOUND.	2082
1	3-21-97	MINOR UPDATE	RLS #: 2071

THIS DOCUMENT IS THE PROPERTY OF SIMPSON TECHNOLOGIES CORPORATION AND CONTAINS PROPRIETARY AND CONFIDENTIAL INFORMATION OF SIMPSON TECHNOLOGIES. THIS DOCUMENT IS LOANED IN CONFIDENCE, SUBJECT TO RETURN UPON REQUEST, ON THE EXPRESS CONDITION THAT NO COPIES SHALL BE MADE AND THAT NEITHER IT NOR THE INFORMATION CONTAINED THEREIN SHALL BE DISCLOSED TO OTHERS WITHOUT THE EXPRESS WRITTEN CONSENT OF SIMPSON TECHNOLOGIES. FURTHER THAT THE INFORMATION SHALL BE USED BY THE RECIPIENT ONLY AS EXPRESSLY APPROVED BY SIMPSON TECHNOLOGIES.

**TRADE SECRET INFORMATION**

**SIMPSON TECHNOLOGIES**  
AURORA ILLINOIS, U.S.A.

**GENERAL ARRANGEMENT AND FOUNDATION DRAWING**  
100 SIMPSON MULTI-COOLER

SCALE: 3/8" = 1'-0"    FIRST RELEASE: 2071    ORDER NO: STANDARD MC100

CALC. WT.:    MADE BY: RDB    DATE: 2-7-97    APPROVED BY:    100-42770

SIMILAR TO: 100-42769    CHECKED BY: SUN